

 Patmark<sup>®</sup>

 Patmark  
a new generation of marking tool



# Patmark-mini

Patmark-mini is called "Digital Punch" in another word. The most innovated of marking tool delivers you safe with hammer-free experience needless of exhausting.

Are you still using a hammer?



Marking area  
15mm (0.6") x 15mm (0.6")



Identification mark on aluminum cast



Carry and mark with "Digital Punch"



Marking on hardened material HRC62



Works on all directions



Readable 2D code by smartphone

# Patmark®

Ideal industrial marker, Patmark let you expand more capability of marking work.

Having a longer window 33mm (1.3"), is giving you an efficient and cost-effective marking solution.



Deep mark on structural steel



Mark 2D code on pipe



Hanging by tool balancer



Logo mark on curved surface



Bright LED guides marking location.

Marking area  
15mm (0.6") x 33mm (1.3")

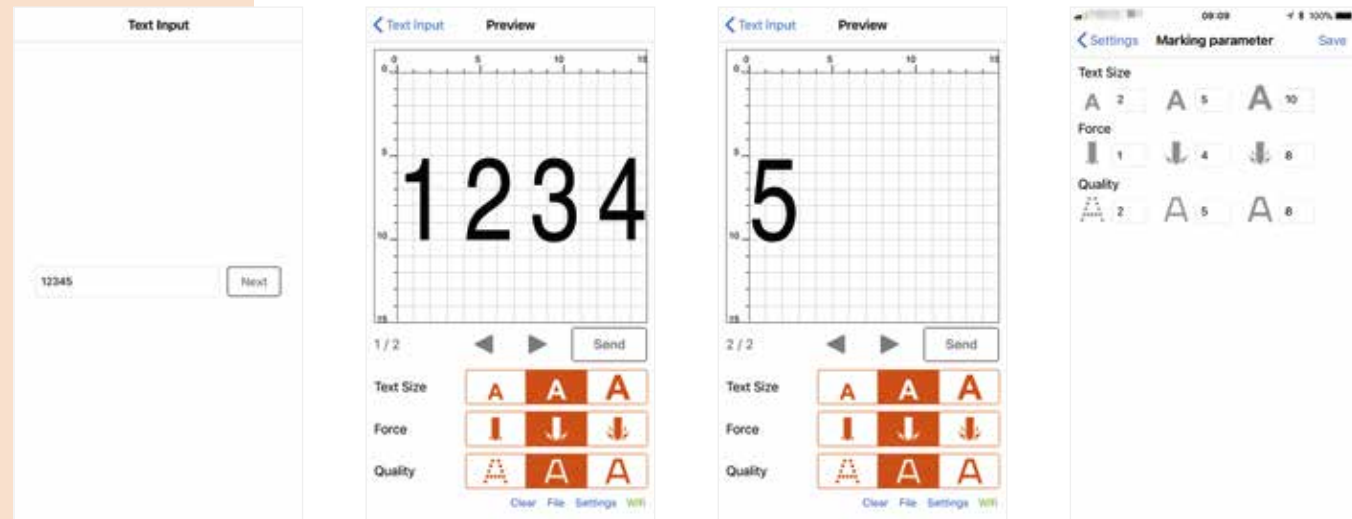


Your working fields matter.

# Free App

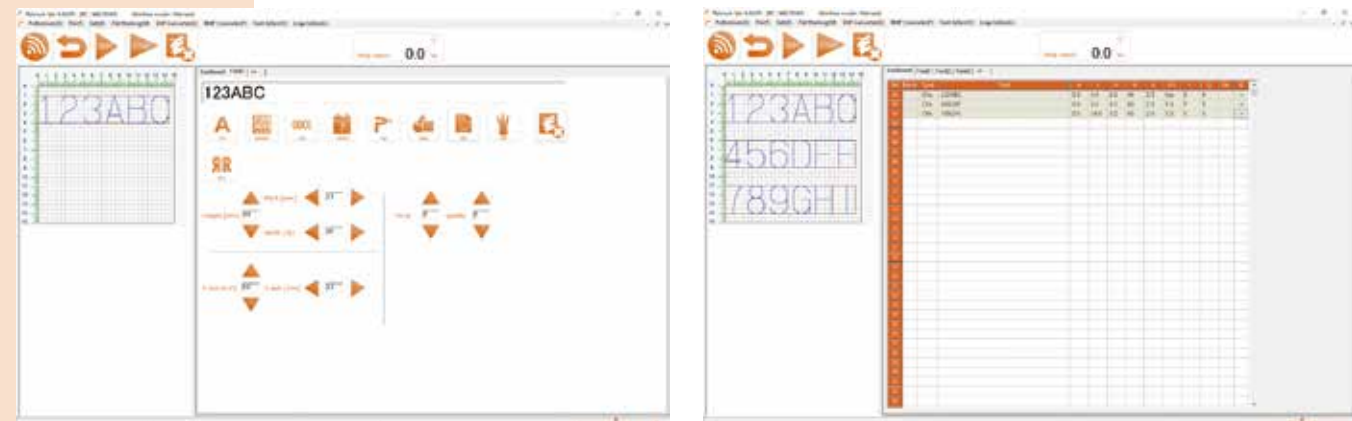


Battery, wifi and smartphone? It happens!  
 Simple steps starting. Just download Patmark app from App Store or Playstore.  
 Find the Patmark's SSID on Wifi following the serial number on the Patmark unit.  
 Open Patmark app then start key-in.



# PM Win Software

Here's a great solution. PM Win software provides you more features such as mark multiple lines, logo, QR and DM code, serialized number and auto calendar. In addition, with using PM Win software, expand its capability with storing up to 255 files on Patmark which are readable in the handheld device.



\*Please note that PM Win Software is an option. You need one license per one Patmark unit.

# Accessories

Varied options expand more capability.



USB connector for PM Win Software. (standard equipped)



AC Adapter Jack for direct power. (standard equipped)



Metal guide set for Patmark-mini. (option)



Carry case for Patmark-mini. (Standard for Patmark-mini only)



Magnetic String text fixture. (option)

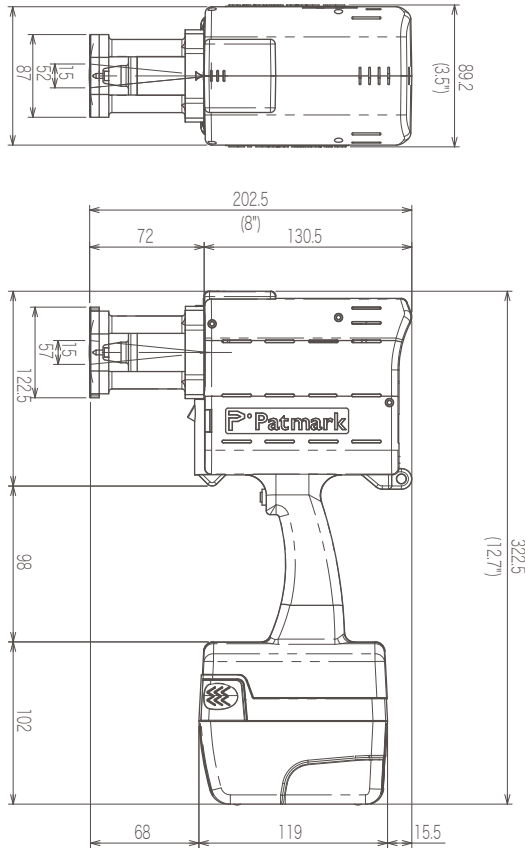


Transparent marking guide for string text fixture. (option)

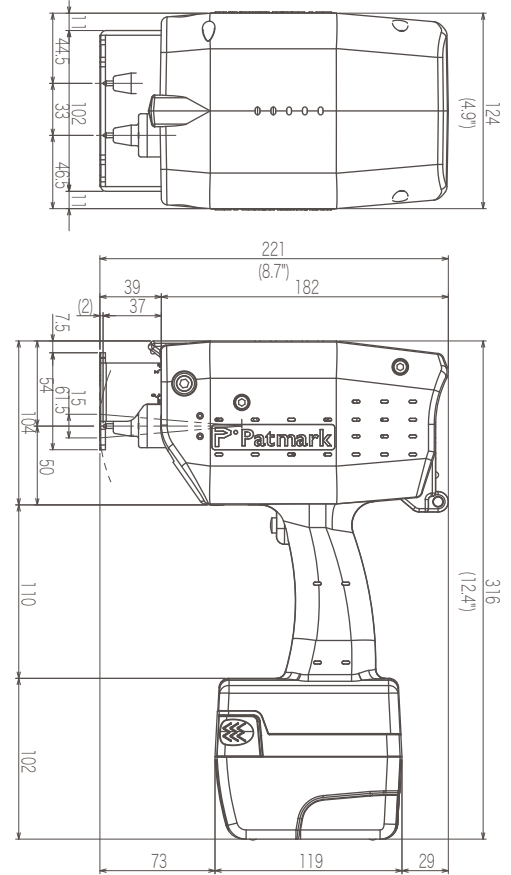
# Specifications

## External Dimensions (mm) / Battery type

Patmark-mini



Patmark



P-Patmark unit information		Patmark-mini	Patmark
Marking area		15mm (0.6") x 15mm (0.6")	33mm(1.3") x 15mm(0.6")
Power	AC adapter	AC100V ~ 240V 50/60Hz	
	Battery	*25.2V 3.0Ah	
	Battery charger	Input 100~240V 50/60Hz	
Weight	When use AC adapter	1.4 kg (3lbs)	2.3kg (4.9lbs)
	When use Battery *attached 25.2V	2.3kg (4.9lb)	3.2kg (6.9lbs)
Software	iOS, Android app (standrad)	Free app - WIFI connectivity	
	PM Win software	Option - WIFI, USB connectivity	
Markable products	Material	Metal (availavle up to HRC62),	
		Plastic, Paper, Wood products	

\*Please note that the battery may be changed due to the circumstance of the battery manufacturer.

App and PM Win Software information		Patmark-mini	Patmark
Text height	app	I - 15mm *0.5mm pitch	
	PM Win Software	I - 15mm *0.1mm pitch	
Fonts		Alphanumeric, Symbols	
2D code	PM Win Software only	Data Matrix, QR code (upto 80 letters)	
Logo	PM Win Software only	Browse and trace JPEG, BMP on Logo Editor	
		Aumatic DXF converter	
Multiple lines	app	Single line only	
	PM Win Software	Available multiple lines within marking area	
Serial number	PM Win Software only	0001 - 9999	
Auto date	PM Win Software only	Year, Month, Day, Hour, Minute, Second, Julian date	

### For Further information Contact:

**Jose G. Manzano**  
**Melahel Global Solutions**  
**#24 Saddle Road, San Juan, Trinidad, W.I.**  
**Mobile/WhatsApp:+18687298553 / Tel:+18686744791**  
**melahelgs@gmail.com**  
**jose.manzano@melahelglobalsolutions.com**

